

Techsense Bangladesh Ltd

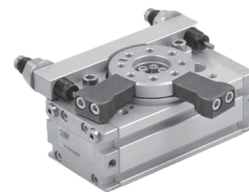
Rotary Actuators Series R3, Code- W1630254180

Dual-rack actuator with automatic adjustment for wear. Hydraulic shock absorbers are arranged externally and operate at a distance from the axis of rotation which is considerably higher than for internal ones. This means that the absorbable kinetic energy is 4 to 8 times higher. It is reduced in length as there are no adjusting screws. A 90° and a 180° versions are available. Grooves are provided in the body to fix retractable magnetic proximity sensors, two on each side. A hole has been drilled in the flange for the passage of air pipes or power cables.

TECHNICAL DATA		R3-16	R3-20	R3-22	R3-25	R3-30	R3-40
Operating pressure	bar	3 to 7					
	MPa	0.3 to 0.7					
	psi	43.5 to 101					
Temperature range	°C	-10 to +80					
Angle adjustment	degrees	90° o 180° ± 3°					
Fluid		20 µm filtered, lubricated or unlubricated air; lubrication if used, it must be continuous					
Sizes	mm	16	20	22	25	30	40
Bore	mm	2 x 16	2 x 20	2 x 22	2 x 25	2 x 30	2 x 40
Theoretical torque at 6 bar	Nm	0.9	1.8	2.7	4.6	9.3	22
Max. axial load	N	74	135	195	300	340	360
Max. radial load	N	78	137	360	450	490	560
Max overturning moment	Nm	2.4	4	5.3	9.7	12	18
Admissible kinetic energy	J	0.16	0.55	0.85	1.40	1.85	3.35
Rotation time without load	s	0.2	0.2	0.2	0.2	0.3	0.3

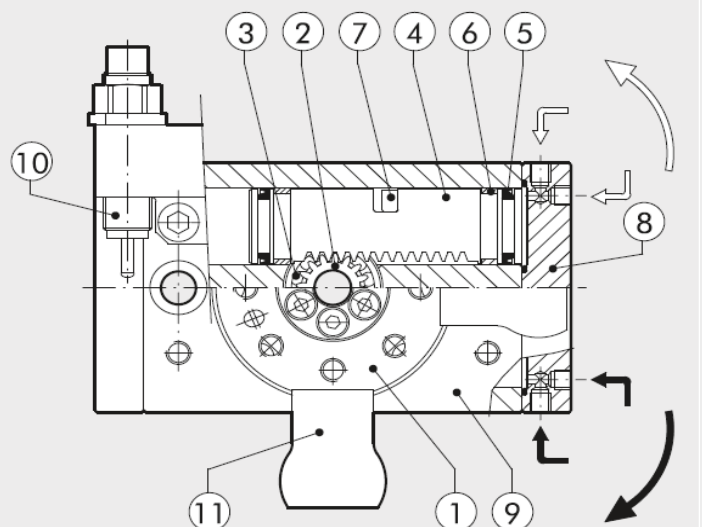
General Attributes

- Type : with flange + shock absorbers R3-180
- Diameter (Bore) : 25 mm



COMPONENTS

- ① ROTARY FLANGE: anodised aluminium
- ② PINION: hardened and tempered steel
- ③ BALL BEARING
- ④ PISTON / RACK: hardened and tempered steel
- ⑤ CUSHIONING GASKET: NBR
- ⑥ GUIDE SHOE: PTFE
- ⑦ MAGNET: neodymium
- ⑧ HEAD: anodised aluminium
- ⑨ BARREL: anodised aluminium
- ⑩ STROKE REGULATOR WITH HYDRAULIC SHOCK ABSORBERS
- ⑪ Block for 90° version



For further information please visit : <https://goo.gl/wfoWWW>



We are the authorized distributor of Metal Work in Bangladesh.

