

# Techsense Bangladesh Ltd

## Rotary Actuators Series R1, Code- W1650502090

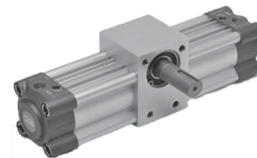
Rack-type rotary cylinders in various configurations:

- Configuration with standard magnet
  - Mechanical stroke adjustment
  - Version with male pinion or female hole
  - Special configurations on request
- The central body has ISO bore holes for wall fixing using ISO pin and/or flange fittings.

| TECHNICAL DATA                |     | 32  | 40   | 50   | 63   | 80   | 100   |
|-------------------------------|-----|---|------|------|------|------|-------|
| Gaskets                       |     | NBR   |      |      |      |      |       |
| Operating pressure            | bar | 10  |      |      |      |      |       |
|                               | MPa | 1   |      |      |      |      |       |
|                               | psi | 145   |      |      |      |      |       |
| Temperature range             | °C  | - 10 to + 80  |      |      |      |      |       |
| Fluid                         |     | Filtered lubricated or unlubricated air.<br>Lubrication, if used, must be continuous. |      |      |      |      |       |
| Bores                         | mm  | Ø 32 ; Ø 40 ; Ø 50 ; Ø 63 ; Ø 80 ; Ø 100  |      |      |      |      |       |
| Rotation angle                |     | 90°; 180°; 270°; 360°   |      |      |      |      |       |
| Type of construction          |     | Extruded profile  |      |      |      |      |       |
| Configuration                 |     | Magnetic standard cushioned   |      |      |      |      |       |
| Axial load                    | N   | 2500  | 2800 | 4500 | 5600 | 8500 | 12200 |
| Max. moment (6 bar - 0.6 Mpa) | Nm  | 4.5   | 12.5 | 16   | 32   | 70   | 120   |

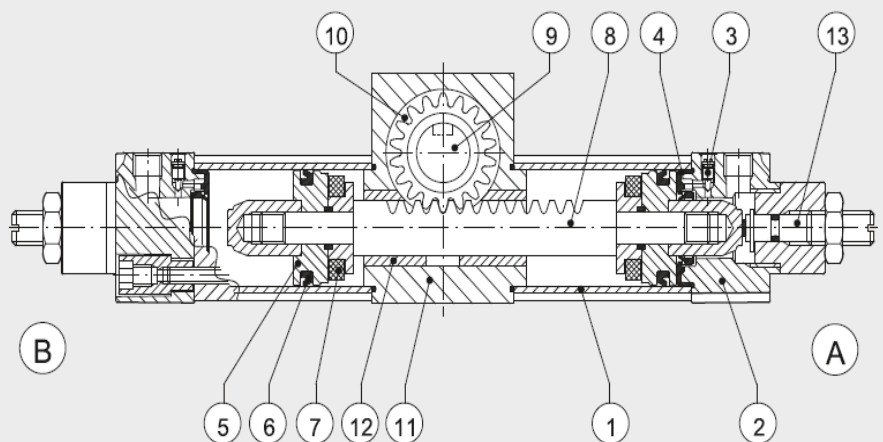
### General Attributes

- Type : R1-90° with adj
- Diameter (Bore) : 50 mm



### COMPONENTS

- ① BARREL: profiled anodised aluminium alloy
- ② HEAD: die cast aluminium
- ③ CUSHIONING NEEDLE: OT 58 with needle out movement safety system even when fully open
- ④ BUFFER + Static O-rings: NBR or FKM/FPM
- ⑤ PISTON: aluminium
- ⑥ PISTON GASKET: NBR
- ⑦ MAGNET: plastoferrite
- ⑧ RACK: AISI 304
- ⑨ PIGNON MALE/FEMALE: nitrided alloy steel
- ⑩ BALL BEARING
- ⑪ CENTRAL BODY: anodised aluminium
- ⑫ RACK GUIDE BUSH: self-lubricating sintered bronze
- ⑬ REGULATION SCREW: AISI 303



For further information please visit : <https://goo.gl/wfoWWW>



We are the authorized distributor of Metal Work in Bangladesh.

