

# Techsense Bangladesh Ltd

## Gripper With Two Parallel Jaws Series P1, Code- W1550320001

- Dual-acting parallel gripper for internal and external clamping.
- Anodized aluminium alloy body and tempered steel jaws.
- Bottom or side fixing.
- All sizes come with magnets and sensor slots.

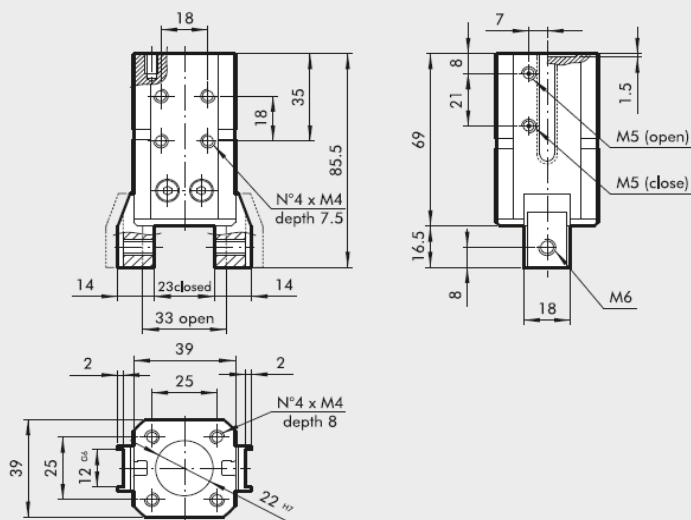
TECHNICAL DATA		P1-20	P1-32
Operating pressure	bar		2 to 8
	MPa		0.2 to 0.8
	psi		29 to 116
Temperature range	°C		5 to 70
	Fluid	20 µm filtered, lubricated or unlubricated air; lubrication if used, it must be continuous	
Bores	mm	20	32
Clamping force at 6.3 bar 20 mm from the top surface during opening and closing	N	70	170
Single jaw stroke	mm	5	5
Weight	kg	0.50	0.70

### General Attributes

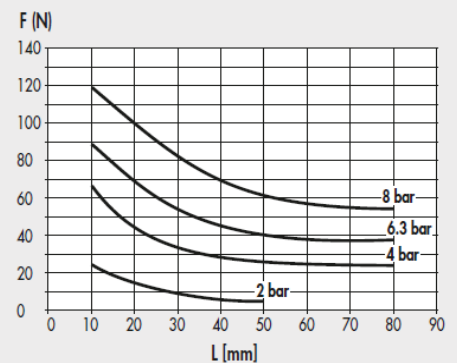
- Type : P1-32
- Diameter (Bore) : 32 mm
- Stroke : 5 mm
- Weight : 0.7 kg



### DIMENSIONS OF GRIPPERS P1-20



Code	Description
W155020001	Gripper with 2 parallel jaws P1-20



For further information please visit : <https://goo.gl/wfoWWW>

We are the authorized distributor of Metal Work in Bangladesh.

